

簡單操作，來輕易更換開關的頭部部件

- 所有開關頭部均可在開關本體360°內，以每15°進行調節
- SLMD產品系列也設計可以允許成型接點塊或用其他連接部件替代
- 接點部份包括速動與慢動接點，並且包括正向斷開操作與可互換接點部件

- 開關頭部的三個平面可輕易調節
- 卸掉SLMD本體上的連接部件只需旋轉1/4圈
- 此SLMD產品系列中的接點部份是集中在開關本體內

Interchanging of switch heads succeeded by easy operation of forked metal latch

- Easily adjustable in 3 planes of switch head.
- Includes one integral connectors or replaces to other connector solution.
- Various contacts became one integral part of switch head to the SLMD series.
- 1/4 return is only required if remove the connection component of SLMD series.
- In relation to switch body all the switch heads could be adjusted in 15° steps throughout 360°.
- Including snap action and slow break contacts, with positive opening operations and interchangeable connection component.

■性能 Characteristics

保護結構	Degree of protection	IP66, IP67 and IP68 conforming to IEC60529 IK 06 conforming to EN50102
符合標準 Conforming to standards	產品 Products	IEC60947-5-1, EN60947-5-1, UL508, CSA C22-2 n° 14
	配件 Machine assemblies	IEC60204-1, EN60204-1
材料	Materials	Bodies and heads: Zamak zinc alloy
重複精度	Repeat accuracy	0.05mm on the tripping points, with 1 million operating cycles for head with end plunger
產品認證	Product certifications	UL, CCC, CSA(except products with special cables)
保護處理	Protective treatment	Standard version: "TC"
抗振性	Vibration resistance	XCMD snap action: 5gn. XCMD slow break: 25 gn (10...500Hz)
抗電氣沖擊性能	Electric shock protection	Class I conforming to IEC61-140 and NFC20-030
額定工作特性 Rated operational characteristics	2對觸點開關 Switches with 2 contacts	~AC-15;B300(Ue = 240 V, Ie = 1.5A) = DC-13;R300(Ue = 250 V, Ie = 0.1A), conforming to IEC60947-5-1 Appendix A, EN60947-5-1
	3對和4對觸點開關 Switches with 3 and 4 contacts	~AC-15;B300(Ue = 240 V, Ie = 0.75A) = DC-13;R300(Ue = 250 V, Ie = 0.1A), conforming to IEC60947-5-1 Appendix A, EN60947-5-1
	成型電纜開關 Pre-cabled switches	Ithe = 6 A for 2 contacts, 4 A for 3 contacts, 3 A for 4 contacts
	4針 M12 接頭開關 Switches with 4-pin M12 connector	Ui = 250 V, Ie = 3 A maximum, Ithe = 3 A
	5針 M12 接頭開關 Switches with 5-pin M12 connector	Ui = 60 V, Ie = 4 A maximum, Ithe = 4 A
	帶有 5針 7/8" 16UN 連接器開關 Switches with 5-pin 7/8" 16UN connector	Ui = 250 V, Ie = 6 A maximum, Ithe = 6a A
額定絕緣電壓 (Ui)	Rated insulation voltage (Ui)	Ui = 400 V degree of pollution 3 conforming to IEC60947-5-1 Ui = 300 V conforming to UL508, CSA C22-2 n° 14
額定沖擊耐電壓	Rated impulse withstand voltage	U imp = 4 kV conforming to IEC60947-1, IEC60664
肯定斷開操作	Positive operation (Depending on model)	N/C contacts with positive opening operation conforming to IEC60947-5-1 Appendix K, EN60947-5-1
端子絕緣電阻	Resistance across terminals	≤25mΩ conforming to IEC60255-7 category 3
短路保護	Short-circuit protection	6 A cartridge fuse type gG(gl)
最小觸發速度	Minimum actuation speed	Snap action contact: 0.01 m/minute (0.03 ft/minute) Slow break contact: 6 m/minute (19.68 ft/minute)
電氣壽命	Electrical durability	• conforming to IEC60947-5-1 Appendix C • Utilization categories AC-15 and DC-13 • Maximum operating rate: 3600 operating cycles/hour • Load factor: 0.5
環境溫度 Ambient air temperature	操作 Operation	-25~+70°C (-13~+158°F).
	儲存 Storage	-40~+70°C (-40~+158°F).
包裝說明	Packing	10pcs /Box

★備註 1.以上為初始值 2.上述性能內容將因機種型式而有所不同.請另行洽詢 3.上述壽命值是為周圍溫度5-35度C·周圍濕度40-70%RH時之條件. 如您需要其它詳細條件,請另行洽詢.

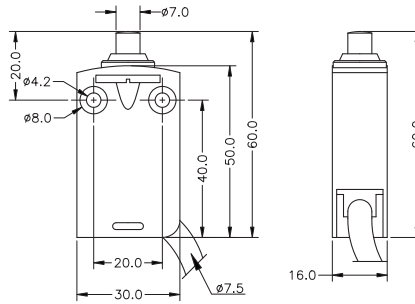
★Note: 1. Above values of these characteristics are initial values. 2. Above values of these characteristics may be depending on different models. If any requirements, pls contact our DECA sales representative. 3. Above durability is for an ambient temperature of 5 to 35° and ambient humidity of 40% to 70%. If any requirements, pls contact our DECA sales representative.

SLMD-00

- 標準柱塞型
Pin Plunger



重量 Weight: 200.60g



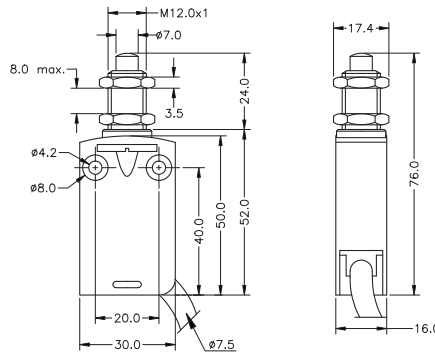
SLMD-00	
OF	12N
RF	1.5N
PT	MAX
OT	1mm(NG)
	3.2mm
OP	19 ± 1mm
TT	(4.5mm)
DOT	1.8mm
DOF	20N

SLMD-07

- 面板安裝柱塞型
Short Spring Plunger



重量 Weight: 211.50g



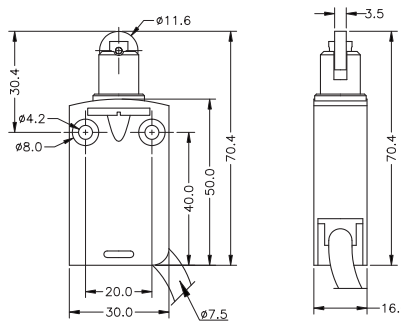
SLMD-07	
OF	12N
RF	1.5N
PT	MAX
OT	1mm(NG)
	3.2mm
OP	23 ± 1mm
TT	(4.5mm)
DOT	1.8mm
DOF	20N

SLMD-20

- 標準滾輪柱塞型
Slim Spring Plunger



重量 Weight: 210.30g



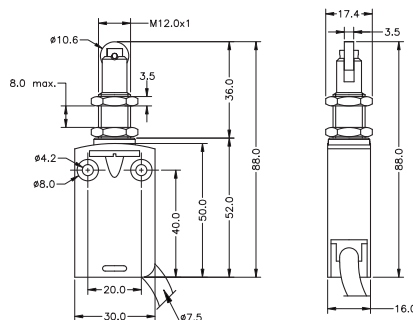
SLMD-20	
OF	12N
RF	1.5N
PT	MAX
OT	1mm(NG)
	3.2mm
OP	29.4 ± 1mm
TT	(4.5mm)
DOT	1.8mm
DOF	20N

SLMD-26

- 面板安裝滾輪柱塞型
Panel Mount Plunger



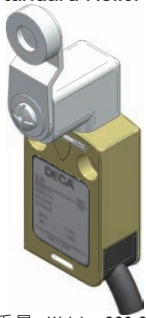
重量 Weight: 218.90g



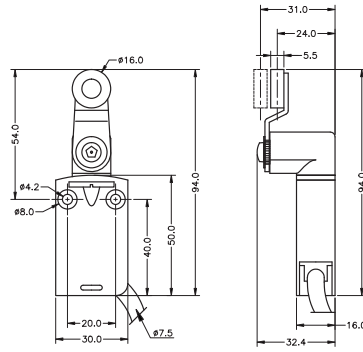
SLMD-26	
OF	12N
RF	1.5N
PT	MAX
OT	1mm(NG)
	3.2mm
OP	35 ± 1mm
TT	(4.5mm)
DOT	1.8mm
DOF	20N

SLMD-40

- 立式標準滾輪擺桿型
Vertical Standard Roller Lever



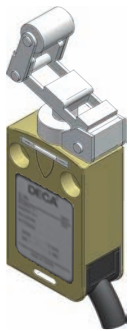
重量 Weight: 220.30g



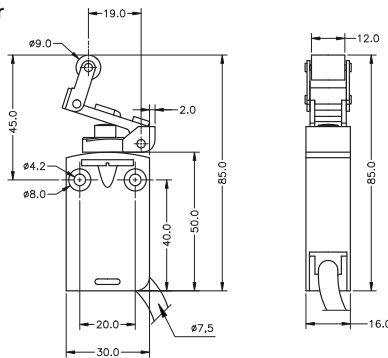
SLMD-40	
OF-1 MAX	5N
RF-2 MIN	0.5N
PT1 (11-12 - 21-22)	6±3° (NG)
PT1 (31-32 - 41-42)	9±3° (NG)
PT2-3	(12°)
OT MIN	40°
OP (11-12 - 21-22)	—
OP (31-32 - 41-42)	—
TT-3	(55°)
DOT-4 MIN	18°
DOF MIN	20N

SLMD-47

- 單向動作滾輪擺桿型
Unidirectional Action Hinge Roller Lever



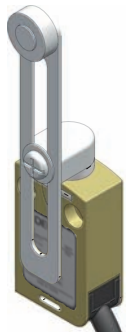
重量 Weight: 220.60g



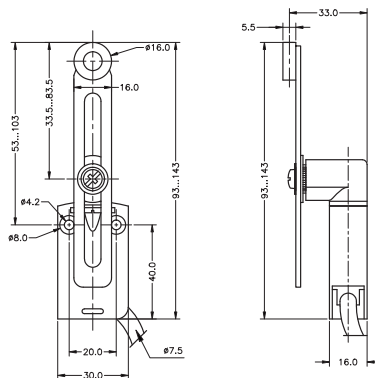
SLMD-47	
OF	5N
RF	0.8N
PT	4mm
OT	5mm
OP	41mm
TT	(9mm)
DOT	5.8mm
DOF	20N

SLMD-50

- 可調式標準滾輪擺桿型
Adjustable Roller Lever



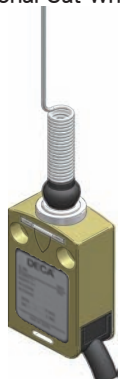
重量 Weight: 225.40g



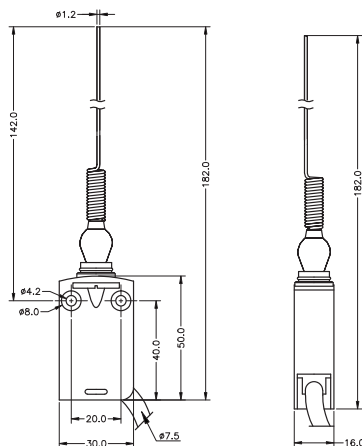
SLMD-50	
OF-1 MAX	5N
RF-2 MIN	0.5N
PT1 (11-12 - 21-22)	6±3° (NG)
PT1 (31-32 - 41-42)	9±3° (NG)
PT2-3	(12°)
OT	40°
OP (11-12 - 21-22)	—
OP (31-32 - 41-42)	—
TT-3	(55°)
DOT-4 MIN	18°
DOF MIN	20N

SLMD-82

- 鋼絲彈簧無方向型
Non-directional Cat Whisker



重量 Weight: 220.10g



SLMD-82	
OF	1.5N
RF	15°