

緊湊型電纜進線孔輕易連結內部的接點模組

- 可利用對叉狀金屬插銷的簡單操作，來輕易更換開關的頭部部件
- 接點部份包括速動與慢動接點，並且包括正向斷開操作與可互換接點部件
- SLKP系列開關產品的電纜進線孔可輕易連結內部的接點模組，所以電纜連接非常簡單
- 開關頭部的三個平面可輕易調節
- 所有開關頭部均可在開關本體360°內，以每15°進行調節

Easily access to contacts because of the compact cable entry

- Easily adjustable in 3 planes of switch head.
- Interchanging of switch heads succeeded by easy operation of forked metal latch.
- The cable entry for SLKP switches enable simple cabling due to unrestricted access to contacts.
- In relation to switch body all the switch heads could be adjusted in 15° steps throughout 360°.
- Including snap action and slow break contacts, with positive opening operations and interchangeable connection component.

■性能 Characteristics

額定工作特性	SL2KP	~AC-15;B300(Ue = 240 V, Ie = 3A);Ithe = 10A ≡ DC-13;Q300(Ue = 250 V, Ie = 0.27A), conforming to IEC60947-5-1 Appendix A, EN60947-5-1
Rated operational characteristics	SL3KP	~AC-15;B300(Ue = 240 V, Ie = 1.5A);Ithe = 6A ≡ DC-13;R300(Ue = 250 V, Ie = 0.1A), conforming to IEC60947-5-1 Appendix A, EN60947-5-1
額定絕緣電壓 (Ui)	SL2KP	Ui = 500 V degree of pollution 3 conforming to IEC60947-1 Ui = 300 V conforming to UL508, CSA C22-2 n° 14
Rated insulation voltage (Ui)	SL3KP	Ui = 400 V degree of pollution 3 conforming to IEC60947-1 Ui = 300 V conforming to UL508, CSA C22-2 n° 14
額定沖擊 耐受電壓	SL2KP	U imp = 6 kV conforming to IEC60947-1, IEC60664
Rated impulse withstand voltage	SL3KP	U imp = 4 kV conforming to IEC60947-1, IEC60664
肯定斷開操作	Positive operation (Depending on model)	
肯定斷開操作	N/C contacts with positive opening operation conforming to IEC60947-5-1 Appendix K, EN60947-5-1	
端子電阻	Resistance across terminals	
端子電阻	≤25mΩ conforming to IEC60255-7 category 3	
短路保護	SL2KP	10 A gG(gl)
Electric shock protection	SL3KP	6 A gG(gl)
電纜 (螺釘夾接端子)	SL2KP · 151 and XE2S P2141	1 x 0.34mm ² (max.); 2 x 1.5mm ² (min.)
Cabling	SL2KP P21 · 1 and XE2N P31 · 1	1 x 0.5mm ² (max.); 2 x 2.5mm ² (min.)
	SL3KP P and XE3S P	1 x 0.34mm ² (max.); 1 x 1mm ² or 2 x 0.75mm ² (min.)
最小觸發速度 (直動式操作頭)	Minimum actuation speed (for head with end plunger)	
最小觸發速度 (直動式操作頭)	SL2KP · 151SL2KP P2141 and SL3KP P:0.01 m/minute SL2KP · 1SL2KP P31 · 1 and SL3KP P:6 m/minute	
電氣壽命	Electrical durability	
電氣壽命	<ul style="list-style-type: none"> • conforming to IEC60947-5-1 Appendix C • Utilization categories AC-15 and DC-13 • Maximum operating rate:3600 operating cycles/hour • Load factor:0.5 	
包裝說明	Packing	
包裝說明	10pcs /Box	

★備註 1.以上為初始值 2.上述性能內容將因機種型式而有所不同.請另行洽詢 3.上述壽命值是為周圍溫度5-35度C，周圍濕度40-70%RH時之條件。如您需要其它詳細條件，請另行洽詢。

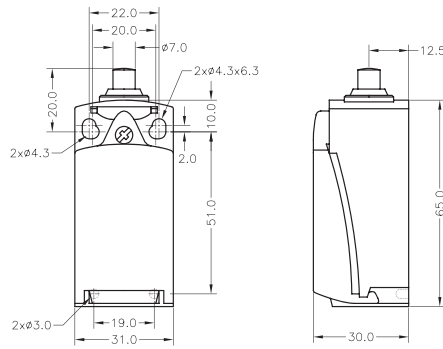
★Note: 1. Above values of these characteristics are initial values. 2. Above values of these characteristics may be depending on different models. If any requirements, pls contact our DECA sales representative. 3. Above durability is for an ambient temperature of 5 to 35° and ambient humidity of 40% to 70%. If any requirements, pls contact our DECA sales representative.

SLKP-00

- 標準柱塞型
Standard Pin Plunger



重量 Weight: 165.00g



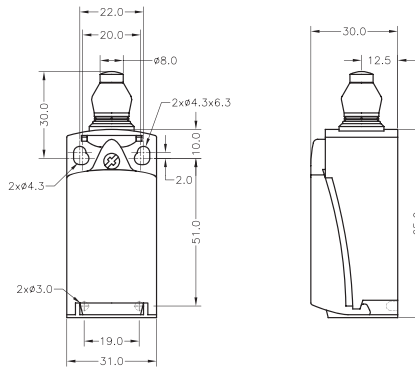
		SLKP-00
OF	MAX	6.5N
RF	MIN	1.5N
PT	MAX	2mm
OT	MIN	4mm
MD	MAX	4mm
OP		18mm
TT		(6mm)
DOT	MIN	3.2mm
DOF	MIN	20N

SLKP-01

- 密封柱塞型
Sealed Pin Plunger



重量 Weight: 168.00g



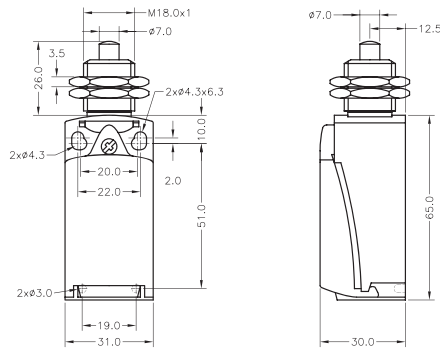
		SLKP-01
OF	MAX	6.5N
RF	MIN	1.5N
PT	MAX	2mm
OT	MIN	4mm
MD	MAX	4mm
OP		28mm
TT		(6mm)
DOT	MIN	3.2mm
DOF	MIN	20N

SLKP-07

- 面板安裝柱塞型
Panel Mounting Pin Plunger



重量 Weight: 172.00g



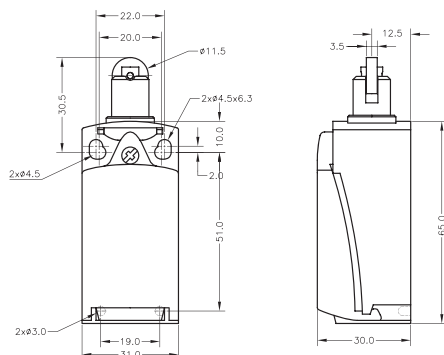
		SLKP-07
OF		6.5N
RF		1.5N
PT		2mm
OT		4mm
MD		1mm
OP		24mm
TT		(6mm)
DOT		3.2mm
DOF		20N

SLKP-20

- 標準滾輪柱塞型
Standard Roller Lever



重量 Weight: 170.00g



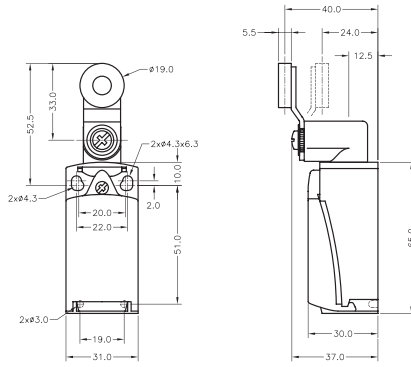
		SLKP-20
OF		6.5N
RF		1.5N
PT		2mm
OT		4mm
MD		1mm
OP		28.5mm
TT		(6mm)
DOT		3.2mm
DOF		20N

SLKP-40

- 立式標準滾輪擺桿型
Vertical Standard Roller Lever



重量 Weight: 176.00g



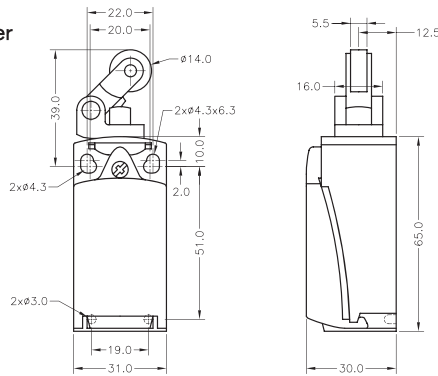
SLKP-40	
OF	5N
RF	0.5N
PT	18~27°
OT	40°
MD	14°
OP	—
TT	(80°)
DOT	50°
DOF	20N

SLKP-47

- 單向動作滾輪擺桿型
Unidirectional Action Hinge Roller Lever



重量 Weight: 170.00g



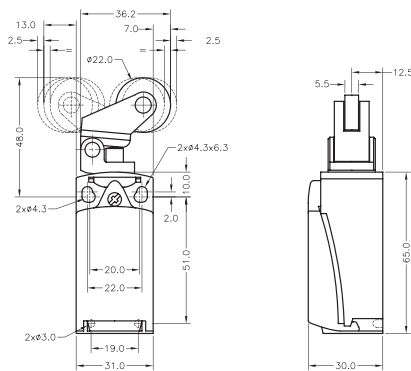
SLKP-47	
OF	5N
RF	0.8N
PT	4mm
OT	5mm
OP	35mm
TT	(9mm)
DOT	5.8mm
DOF	20N

SLKP-54

- 水平或垂直動作滾輪擺桿型
Horizontal/Vertical Action Hinge Roller Lever



重量 Weight: 175.00g



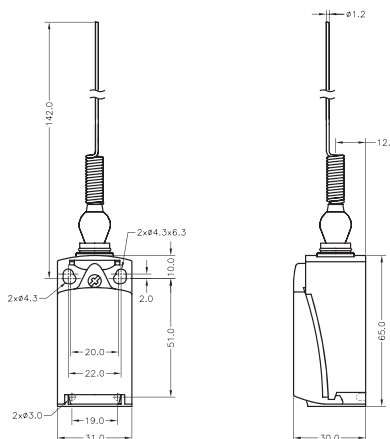
SLKP-54	
OF	5N
RF	0.8N
PT	4mm
OT	5mm
OP	44mm
TT	(9mm)
DOT	4.8mm
DOF	20N

SLKP-82

- 鋼絲彈簧無方向型
Non-directional Cat Whisker



重量 Weight: 172.00g



SLKP-82	
OF	1.5N
PT	15°